

CAP-946 SYSTEM



Computer-Aided Positioner System

The proliferation of deep sub-micron technology has dramatically changed the failure analysis process, but Signatone has your answer. The **CAP-946** and **Thumb-Drive** Joystick Controller gives you 20nm resolution, and the most sophisticated user control tool on the market. With velvety-smooth 18-axis control at your finger tips, you can focus on what you need to probe, not how you're going to probe it.

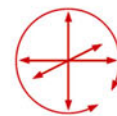


PERFORMANCE, QUALITY, VALUE

SIGNATONE[®]

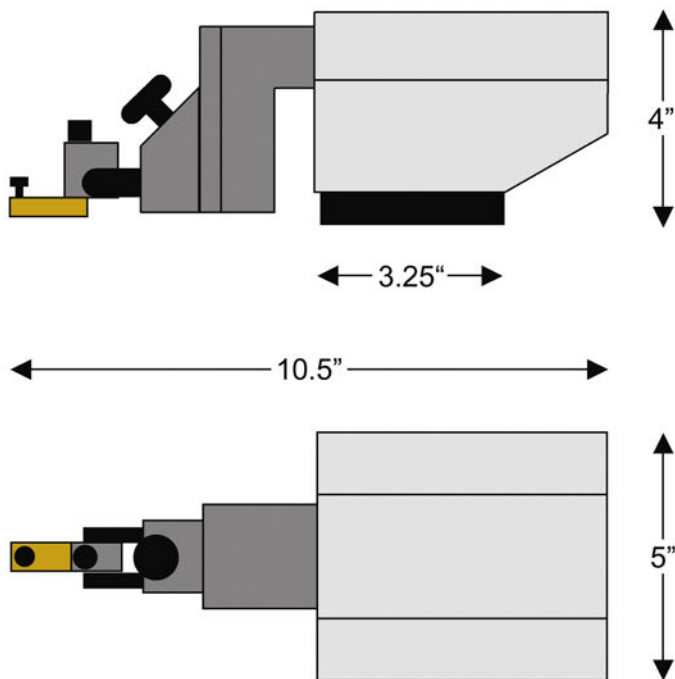
Advanced Microprobing Solutions Since 1968

CAP-946 SYSTEM



Specifications

Travel Range X & Y:	25mm
Travel Range Z:	8mm
Encoder Resolution:	20nm
Practical Step Size:	50nm
Repeatability XY	
Standard:	± 5µm
With Pseudo Align:	± 1µm
Accuracy	
Standard:	± 5µm
With Pseudo Align:	± 2.5µm
Speed	
Maximum XYZ:	.4mm/sec
Typical Cycle Time:	
2 X 200µm Z, 5mm XY	12 sec
2 X 20µm Z, 500µm XY	2 sec
Dimensions, w/o Probe Holder	
L x W x H:	10.5" x 4" x 5"
Base Styles	
Standard:	Magnetic
Optional:	Vacuum



Features

The SIGNATONE Computer-Aided Positioner is a "hands-off" software/joystick controlled positioner for applications where vibration isolation, ultra-high resolution, or remote guided probe control is required.

The Signatone Solutions CAP-946 user interface supports the programmable X, Y, Z axes with arrow keys and **Program Point Navigation**. The software can learn probe point coordinates and save them to a disk file for future recall. Once the new device is aligned, simply run the coordinate map and watch the probe accurately step through the saved points.

Signatone Solutions Software is a Windows-based, icon-driven, software user interface which supports live video, Point-N-Shoot, multi-axis tracking, and a "pseudo align" feature for improved positional accuracy.

The SIGNATONE Thumb-Drive joystick is the ideal companion for the CAP-946, which combines both coarse and fine positioning control mechanisms with the ease of use of a manual positioner. Use the conventional 2-axis joystick to drive to the test area, then switch over to the encoded 3-axis thumb-wheels for 20nm resolution for your final alignment. The thumb-wheels mimic the feel of an ultra-smooth micrometer drive, and deliver accuracy far superior to that of any conventionally controlled positioner. Would you like "no look" capability? Since there's not range switching required, and both control tools are active simultaneously, you might even be tempted to try this with your eyes closed.

The CAP-946 is also ideally suited for remote probing, such as netlist guided probe applications. The CAP System can also be configured as a stand-alone unit that supports GPIB, USB, and RS-232C command-level protocols.

The Thumb-Drive Joystick also incorporates an illuminated touch pad for selecting the active channel to be controlled, including the microscope transport, DUT stage, and CAP-946's. Whether you choose to use the Thumb-Drive controller, software, or both, you will find the SIGNATONE CAP-946 System to be an unsurpassed probing tool.

SIGNATONE

393-J Tomkins Court, Gilroy CA 95020

Phone: 408-848-2851 Fax: 408-848-5763

E-Mail: sales@signatone.com WWW: <http://www.signatone.com>