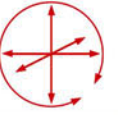
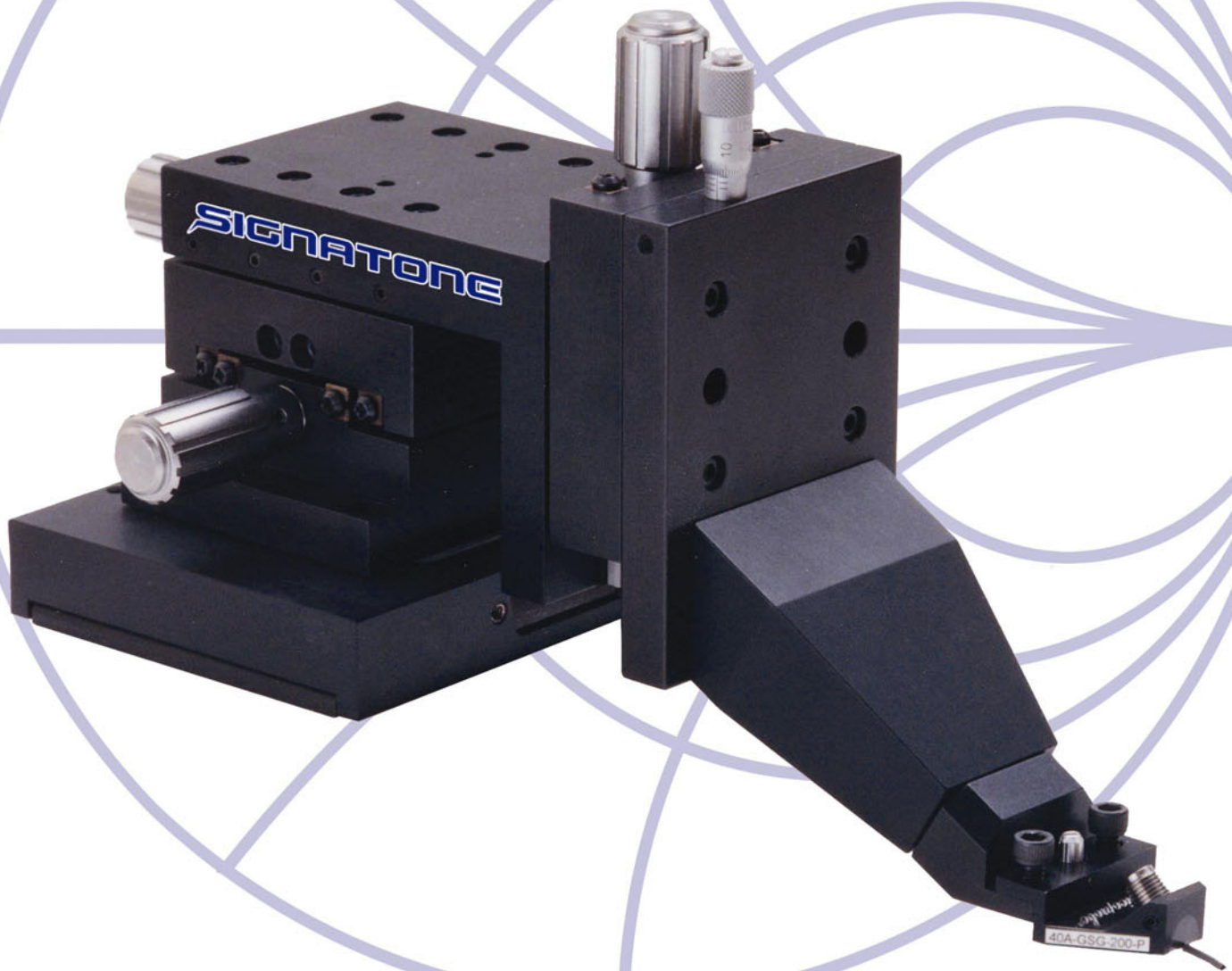


S-96MW SERIES



4-Axis RF/Microwave Micropositioner

The S-96MW has been specifically engineered for the unique demands of high-frequency testing, rather than just modified from an existing DC design. Extended length ball & race bearings, captive leadscrews, and increased mass insure non-resonant performance to W-Band and beyond.



PERFORMANCE, QUALITY, VALUE

SIGNATONE®

Advanced Microprobing Solutions Since 1968

S-96MW SERIES

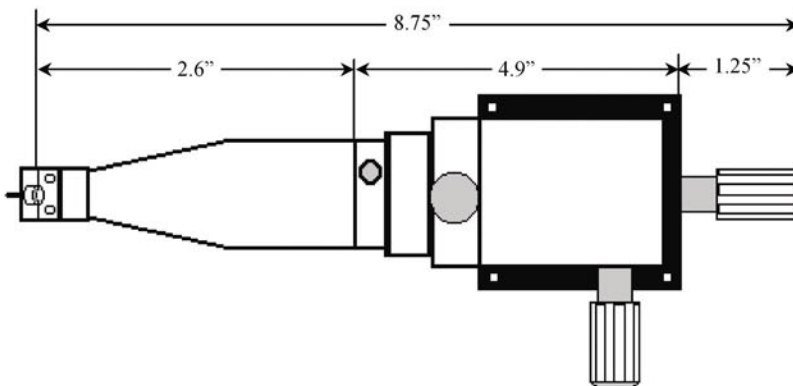
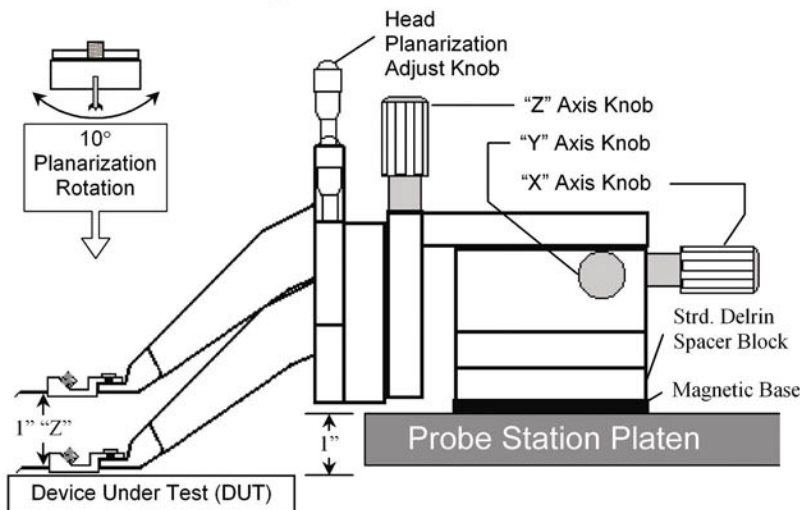


Specifications

S-96MW	
Travel Range X,Y&Z	1"
Planarization Rotation	10°
Resolution	5μ
Orientation	N, S, E, W
Standard: MM	Magnetic Base
Optional: VM	Vacuum Base
HM	Bolt-Down Base

Standard S-96MW

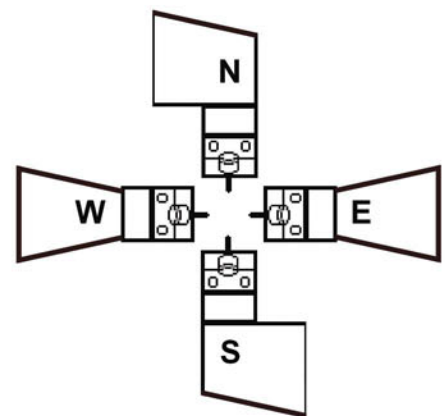
1" of X-Y-Z Travel @ 40 TPI



The SIGNATONE Model S-96MW features 25mm of X-Y and Z translation. A planarization adjustment assures planer contact of the GSG/GS/SG probe. The stiff micropositioner body assures near-zero backlash when moving the probe, even when using rigid or semirigid signal cables. The S-96MW is available with magnetic, vacuum, or bolt-down bases.

North, South, East & West options permit up to 4 probes or wedges to be used simultaneously. The positioner supports both GGB and Cascade probe heads.

Orientation



SIGNATONE

393-J Tomkins Court, Gilroy CA 95020

Phone: 408-848-2851 Fax: 408-848-5763

E-Mail: sales@signatone.com WWW: <http://www.signatone.com>