



SUPER SCOPE

PS-888
SERIES

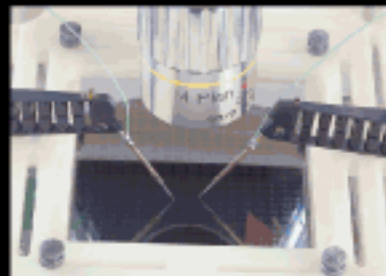
PS-8888
PS-888L





SUPER SCOPE

This high magnification microscope is optimal for analyzing and can be used as a semiconductor or LCD prober, also the importance is the fact that it has an infinite long working distance design which generates a very high resolution. We believe our microscope will fulfill all your needs.



Super-scope for Prober Machine

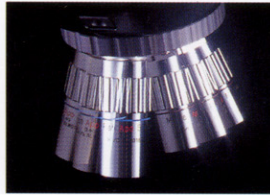
Model **PS-888**

Features:

- This microscope PS-888 is ideal for probe station in the semiconductor and LCD assembly status.
- This microscope provides high resolution at high magnification and its compact shape delivers good performances and stability when integrated to the instrument.
- Options such as observation for Bright Field, Differential Interference Contrast(DIC) and polarized filters are provided to this microscope unit to ensure high performances.
- This microscope is designed for long working distance with large N.A.



Apochromat and infinity Super Long Working Distance Objective Lenses are designed all in one objective lens which enable to use from visible wavelength through IR wavelength application. In addition to these objectives having every long working distances (15mm at 100X). This feature enables the user to fire a YAG laser (Green) through the objective, or use an IR Camera or IR band path filter to see through the semiconductor material without switching to a specially designed NIR objective lens.



Super Long working distance objective lenses, M.Plain APO (Apochromat) series data chart :

		W.D.(mm)	f (mm)	N.A.
M.Plain APO	2.5xSB	32.0	80.0	0.08
"	5xSB	35.1	40.0	0.15
"	10xSB	38.9	20.0	0.25
"	20xSB	22.0	10.0	0.40
"	35xSB	21.7	5.72	0.42
"	50xSB	18.3	4.0	0.45
"	100xSB	14.1	2.0	0.55

Super-scope for Laser cutter

Model **PS-888L**

Features:

- PS-888L provides a 3 lens turret with 1X UV laser/visible tube lens, 1X IR laser/visible tube lens and 2X visible tube lens for 355nm, 532nm and 1064nm. Beam-splitter is moved out from the field of view for better laser performance.
- PS-888L can be equipped with YAG laser to cut semiconductor circuit and for LCD substrate repair purposes.
- Its inward revolver has adjustments for parcenter and parfocal.

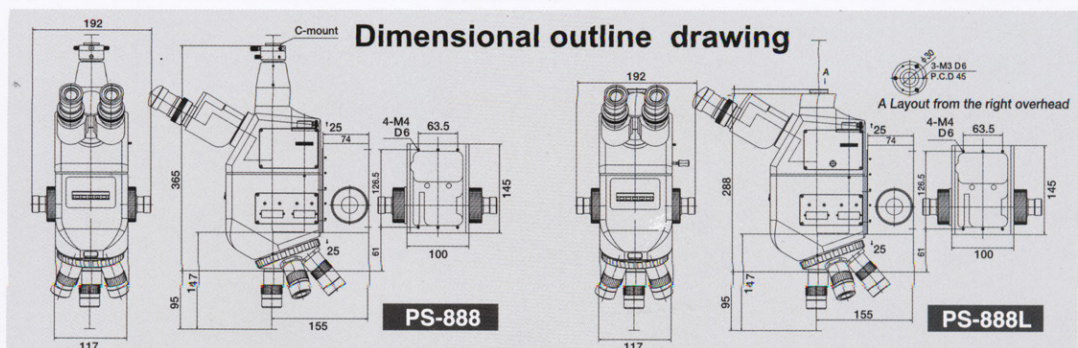


Specification:

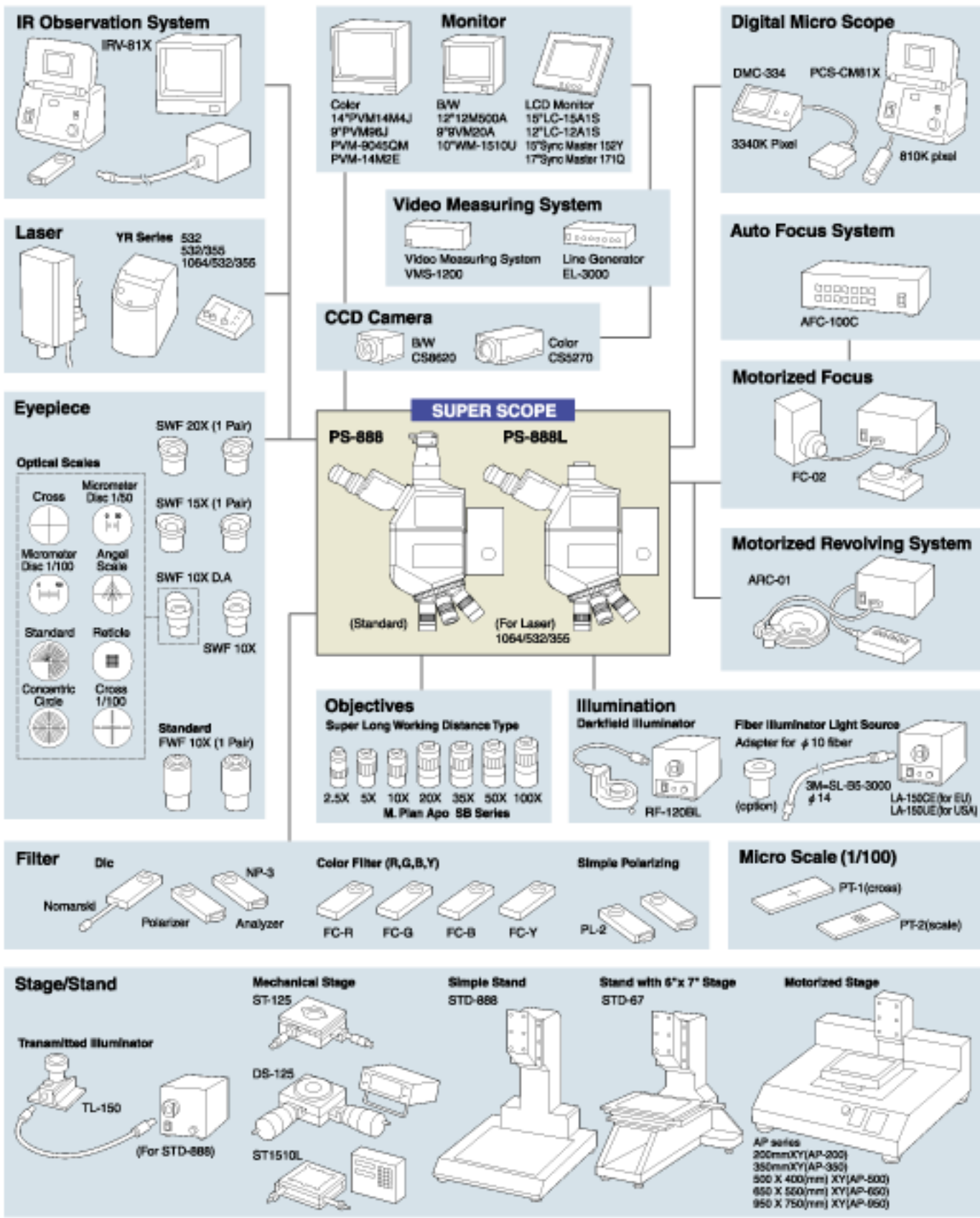
Optical group	Model No.	PS-888	PS-888L
	Name	Microscope for Prober machine	Microscope for Laser cutter
	Tube type	Visible light	Infrared-Ultraviolet
Erect trinocular tube type	Interpupillary distance, adjustment	Siedentopf type, adjustment 50~75mm	Siedentopf type, adjustment 50~75mm
	Field View	23mm	23mm
	Light path	T:R 70:30 simultaneous observation	0 :100/100:0 switch path
Main body	Tube lens (local lens)	1x (486-656) nm 2x (486-656) nm Turret changeable	1x (355-532) nm, 1x (532-1064) nm 2x (486-656) nm (Laser cannot be used with 2x tube lens) Turret changeable
	Laser	—	YAG Laser (Basic, Second Third height wave)
	Mount adapter	C-mount	Laser mount (N/W)
	Coaxial vertical illumination	Bright field Koehler Illumination with Field & Aperture stop	Bright field Koehler Illumination with Field & Aperture stop
Microscope group	Revolver	Back tilted removal 4 noses bright field type (par center, par focal adjustable)	Back tilted removal 4 noses bright field type (par center, par focal adjustable)
	Objective lenses	Infinity corrected objective lenses (M.Plain APO lenses)	Infinity corrected objective lenses (M.Plain APO lenses)
	Weight	Under 7 kgs	Under 7.5 kgs
Focus unit	Load capacity	45kgs	45kgs
	Operation	Coarse and fine manual operation (coarse:1 round/4mm, Fine: 1 round/0.1mm)	Coarse and fine manual operation (coarse:1 round/4mm, Fine: 1 round/0.1mm)
	Stroke	±25mm	±25mm
	External size	192 (W) x352 (D) x 365 (H) mm	192 (W) x352 (D) x 295 (H) mm

Options:

Name	Model	
Camera adaptor	LCA-1	
Illuminator Power supply	LA-150CE/LA-150UE	
Fiber light guide	SL-B5-3000(3m)	
Motorized turret	ARC-01	
Motorized focus	FC-02	
Polarizer (round actuated)	PL-2	
DIC , Differential	NP-3	
Interference contrast		
Color filter	Red FC-R	
	Green FC-G	
	Blue FC-B	
	Yellow FC-Y	
Eye piece	10x	SWF10X (1 Pair) or SWF 10XD.A
	15x	SWF15X (1 Pair)
	20x	SWF20X (1 Pair)
Objective lenses	2.5x	M.Plain APO 2.5X SB
	5x	M.Plain APO 5X SB
	10x	M.Plain APO 10X SB
	20x	M.Plain APO 20X SB
	35x	M.Plain APO 35X SB
	50x	M.Plain APO 50X SB
100x	M.Plain APO 100X SB	
Digital camera	PCS-CM81	
	DMC-334	
Mechanical stage		
	ST-125	
	DS-125	
	ST-1510L	
Stand		STD-888
		STD-67



SYSTEM DIAGRAM for PS-888/PS-888L



CORRECT SEIWA OPTICAL AMERICA INC.
3106 PATRICK HENRY DRIVE, SANTA CLARA, CA 95054, U. S. A
TEL. (408) 844-8008 FAX. (408) 844-8944
E-mail: takashima@seiwaamerica.com http://www.seiwaamerica.com

●Head office/plant
CORRECT SEIWA OPTICAL CO., LTD.
12-17, Yayoi-cho 4-chome, Nakano-ku Tokyo 164-0013 JAPAN
TEL. (81) 3-3383-6301 FAX. (81) 3-3383-6304
E-mail: sales@seiwaopt.co.jp http://www.seiwaopt.co.jp

FOR FURTHER INFORMATION CONTACT
●Agent